

342578 (Coibentata - Isolee
Insulate Isoliert - Aislamiento)
342572

411002

200925

323539

352070

331225

160811

190638

190637

361069/1

390195

180642

361824

361825 (RCD)

200964

342571

352114

361094

390196

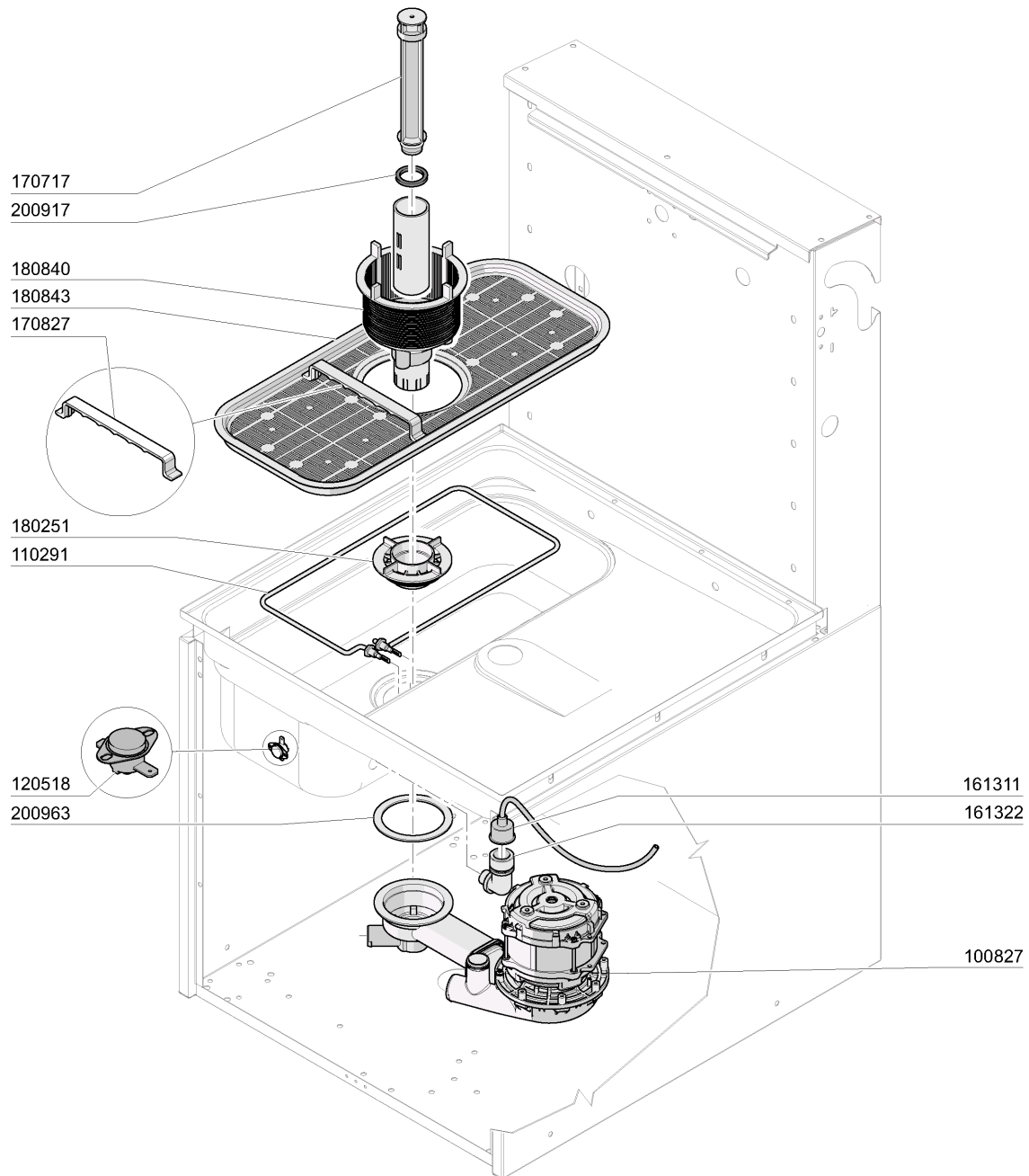
120366

324166

11 - 2010 M. S.

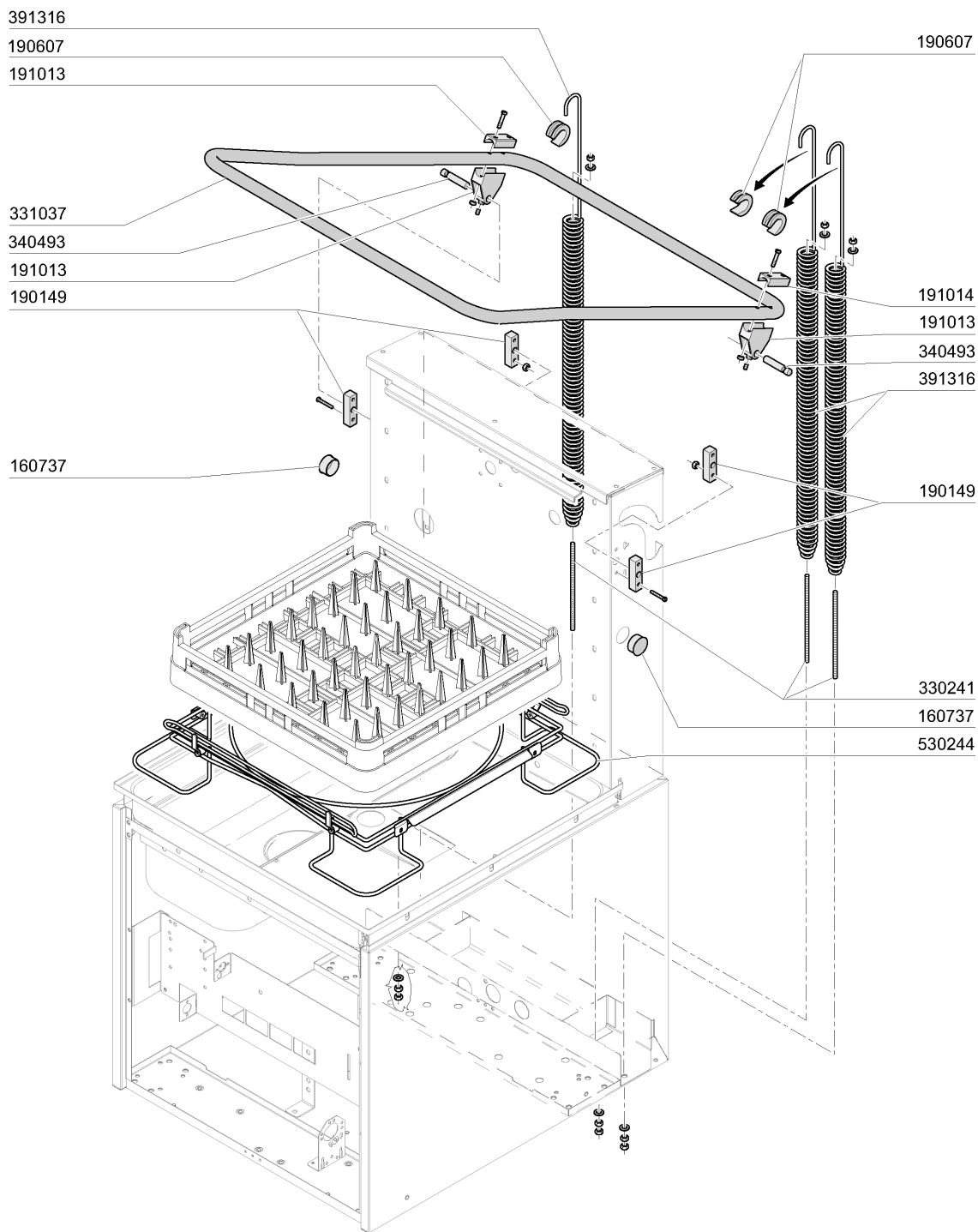
1 - Hood

CODE	DESCRIPTION
120366	MAGN.SENSOR
160811	WASHER F2 18X8.5X1 ALGOF
180642	GUIDE
190637	GUIDE FOR DOOR "C"
190638	ROLLER FOR "C" DOOR GUIDE
200925	GASKET
200964	GASKET 618X14 SP.2
323539	BRACKET
324166	BRACKET
331225	ADJUSTABLE FEET
342571	TANK
342572	HOOD
342578	ISULATED HOOD
352070	FRONT PANEL
352114	FRONT PANEL
361069/1	COVER
361094	BASEMENT
361824	BACK PANEL
361825	BACK PANEL
390195	UPPER BACK PANEL
390196	LOWER BACK PANEL
411002	PERMANENT MAGNET 24X12



2 - Tank

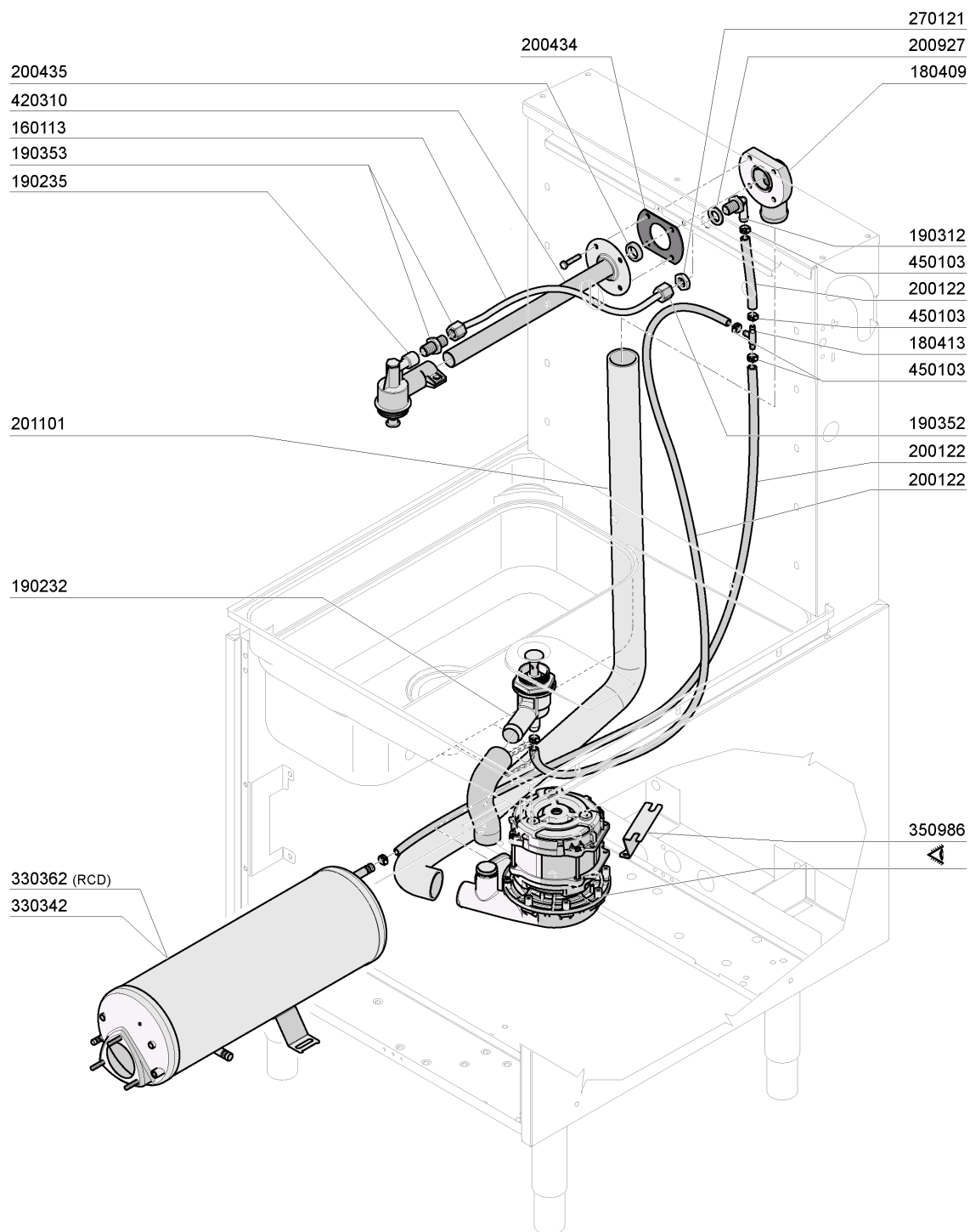
CODE	DESCRIPTION
100827	WASH PUMP HP0,6 FC2006
110291	HEATER 2000W
120518	TANK THERMOSTAT FOR R50
161311	HOSE FOR AIR CHAMBER BC-BR-AC9
161322	AIR TRAP FC2006
170717	OVERFLOW PIPE FC2006
170827	FILTER HANDLE
180251	FIXING NUT FOR PUMP FC2006
180840	FCM FILTER
180843	FILTER
200917	GASKET FOR OVERFLOW PIPE BR-BC
200963	JOINT 110X88X3



3 - Handle

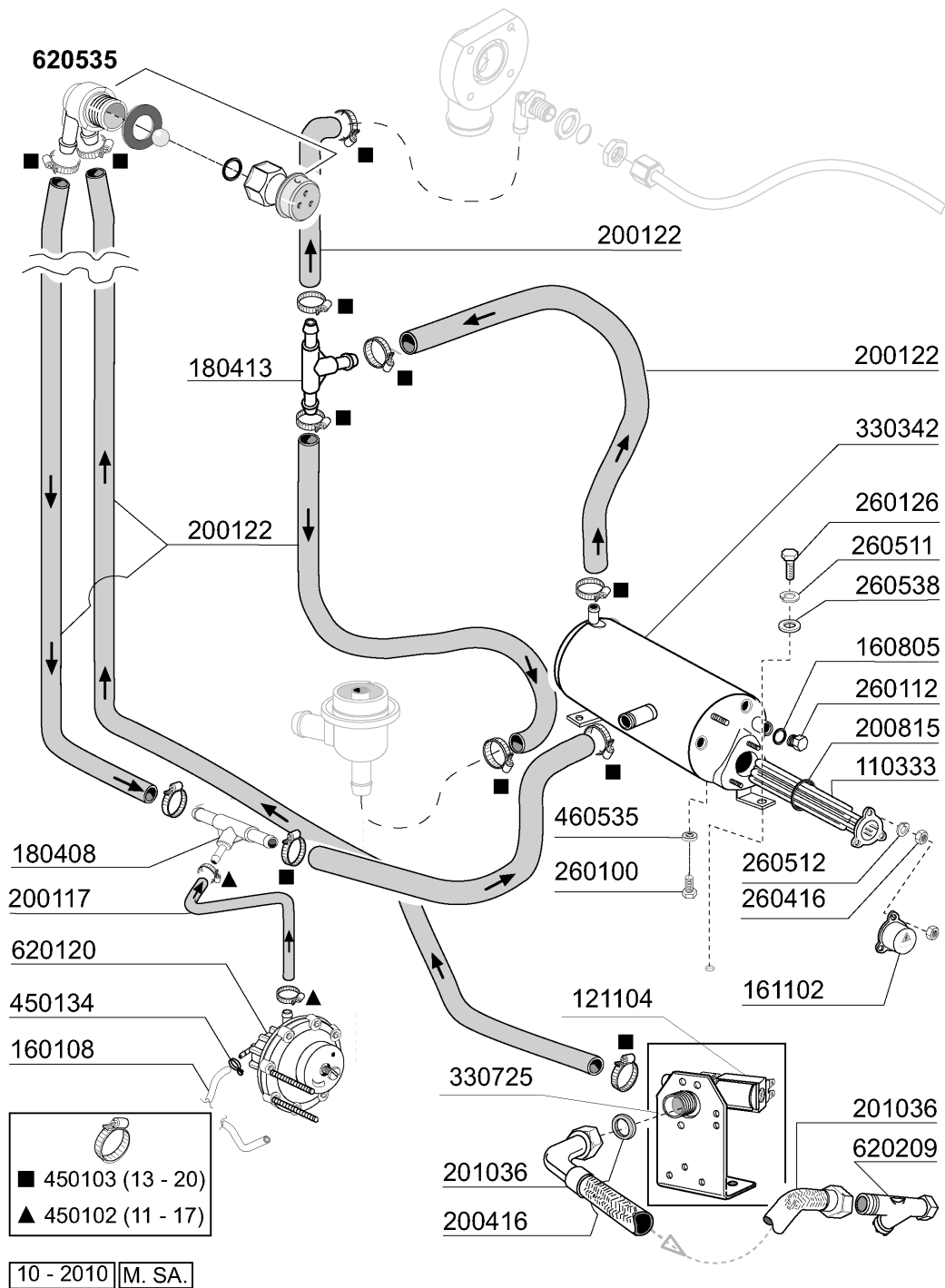
CODE	DESCRIPTION
160737	PLUG HEYCO D.34,9
190149	REINFORCEMENT FOR HANDLE SUPP.
190607	HANDLE BUSH C30-70
191013	HINGE F. SUPPORT C30-C70
191014	FLANGE F. HANDLE C30-70
330241	SPRING ROD
331037	HANDLE C95-155-165 ISOLATED
340493	PIN F. HINGE C30
391316	SPRING FOR HANDLE C85/140-G75
530244	RACK SUPPORT

4 - Wash and rinse column



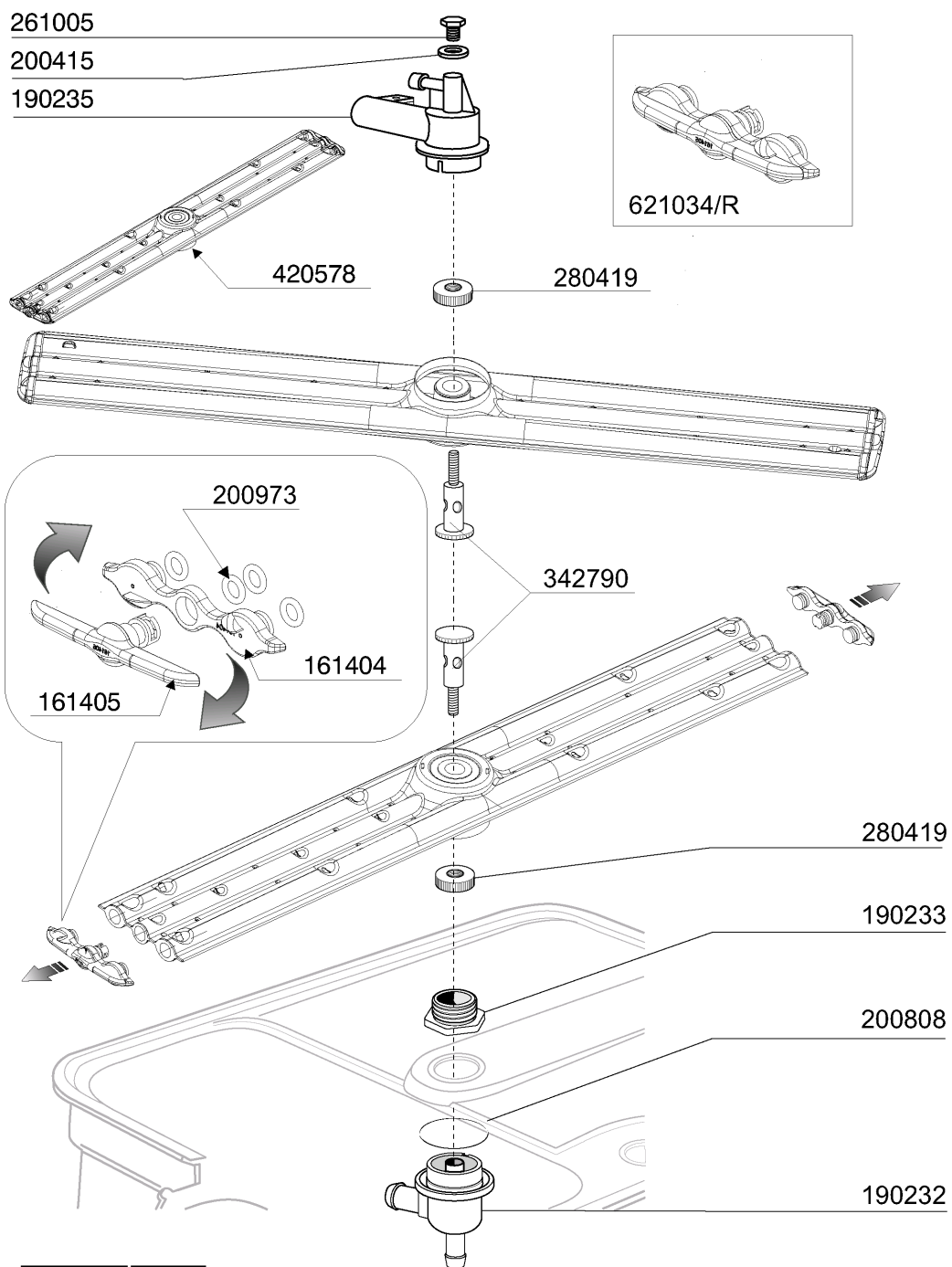
4 - Wash and rinse column

CODE	DESCRIPTION
160113	TUBE IN POL. RETIC. 12 EST
180409	UPPER CONNECTOR F. WASHING C30
180413	TEE NIPPLE D.11,5 - RINSE ASSE
190232	LOWER ARM SUPPORT FC2006
190235	UPPER ARM SUPPORT
190312	NIPPLE CONNECTION 1/2"
190352	CONNECTION
190353	CONNECTION
200122	HOSE 11X19
200434	GASKET CONNECTION C30 R50
200435	GASKET WASH.F2 D.40 C30-70
200927	GASKET FOR AIR TRAP
201101	OUTLET HOSE
270121	NUT FOR AIR TRAP
330342	BOILER C95-C155-C165
330362	BOOSTER FOR BREAK TANK
350986	PUMP SUPPORT
420310	LOW./UPP.WASH PIPE C30 - 70
450103	CLAMP FE ZN. 13-20 H=9



5 - Rinse

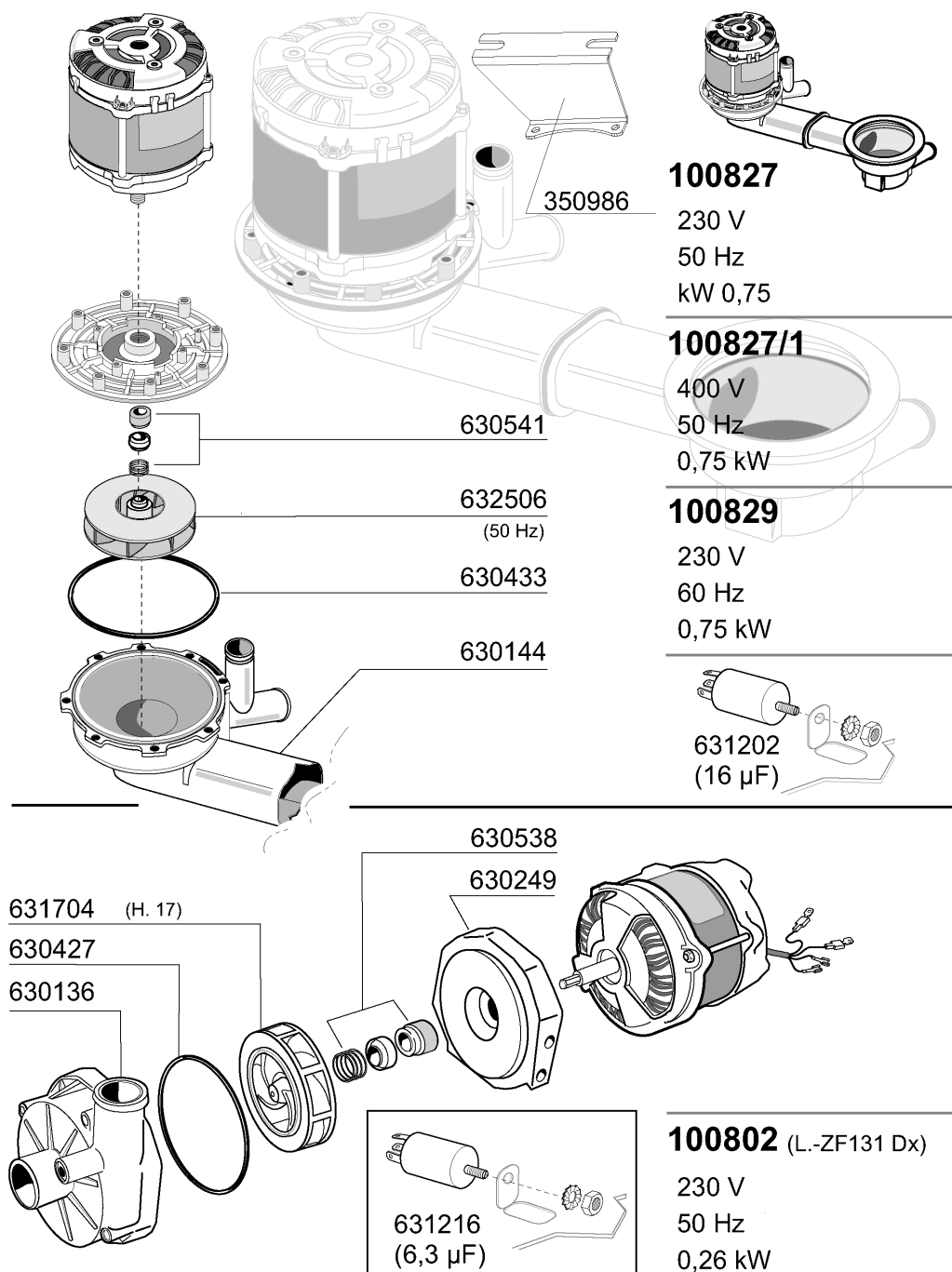
CODE	DESCRIPTION
110333	HEATER 7KW 230/400V
121104	SOLENOID VALVE 8 LT/M
160108	INJECT.INLET HOSE D.8X5
160805	GASKET D.8
161102	ELEMENT COVER MOPL.
180408	TEE-NIPPLE F.INJECT.W/CENTR.RE
180413	TEE NIPPLE D.11,5 - RINSE ASSE
200117	RUBBER HOSE 7X16
200122	HOSE 11X19
200416	GASKET D. 3/4"
200815	O-RING F. HEAT.ELEM.
201036	INLET HOSE 2 MT
260100	SCREW TE 6X8 INOX
260112	STAINLESS STEEL TE-SCREW 8X16
260126	SCREW TE 5X12
260416	STAINLESS STEEL NUTS M6
260511	GROWER WASHER D.5
260512	ST/ST GROWER WASHER D6
260538	WASHER 18X6X1,5 ST/ST
330342	BOILER C95-C155-C165
330725	STANDARD BRACKET F.SOLEN.VALV
450102	CLAMP FE ZN 11-17 H=9
450103	CLAMP FE ZN. 13-20 H=9
450134	ELASTIC HOSE CLIP D.9,3/8,8
460535	GASKET FOR BOILER PLUG BHC
620120	RINSE AID INJECTOR
620209	INLET WATER FILTER
620535	VACUUM BREAKER



01-2011 | M. SA.

6 - Wash arm

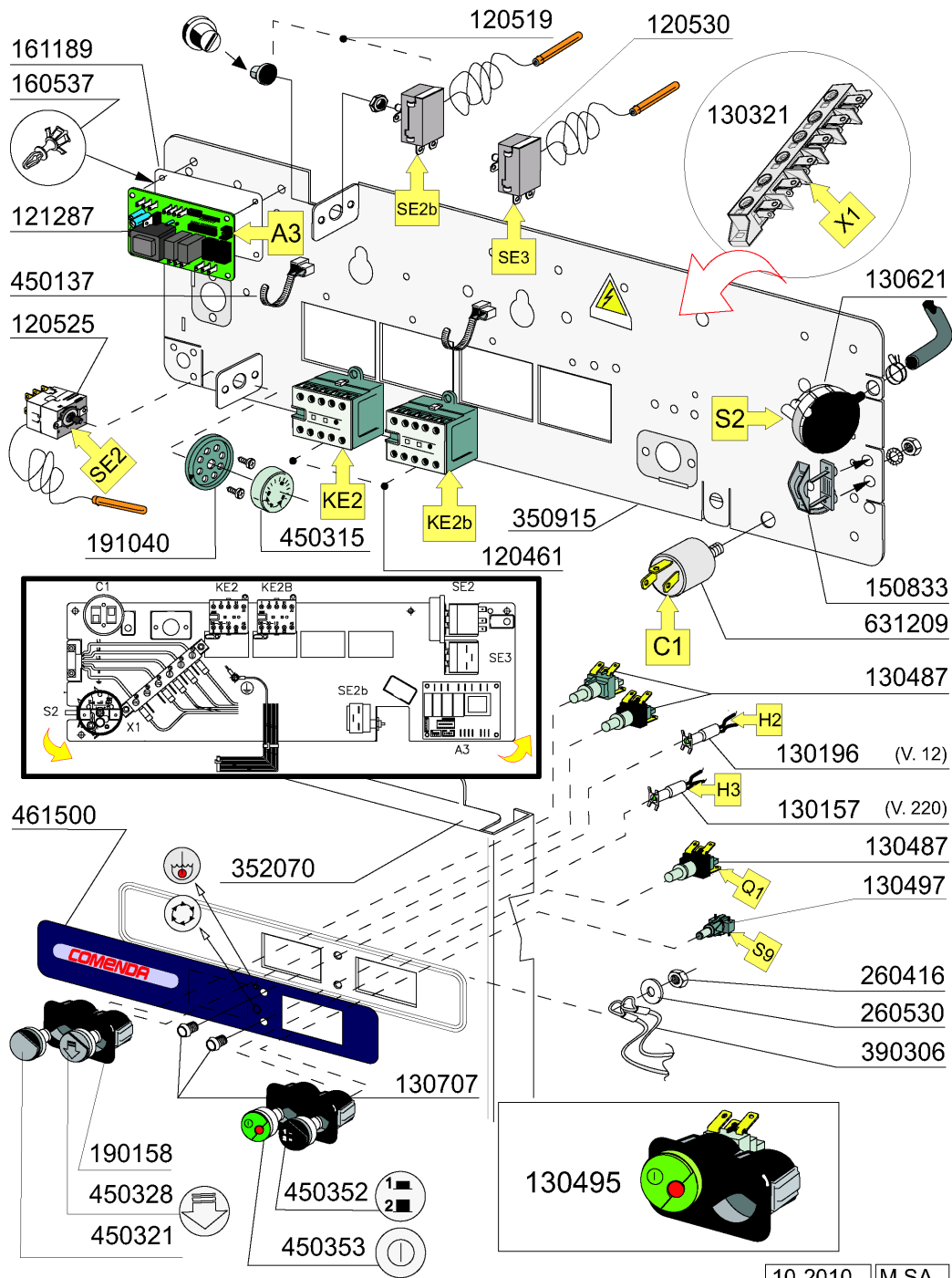
CODE	DESCRIPTION
161404	PLUG
161405	PLUG
190232	LOWER ARM SUPPORT FC2006
190233	ARM SUPPORT
190235	UPPER ARM SUPPORT
200415	AIR TRAP GASKET -F2 18,5X10X3
200808	OR GASKET 3,53X50,80X57,86
200973	JOINT OR 1.78X5.28
261005	SCREW F. TEE UP.WASH F2-B41
280419	LOCK NUT
342790	RINSE SUPPORT
420578	WASH AND RINSE ARM FC2006
621034/R	ARM PLUG



10 - 2010 | M. SA.

7 - Pump

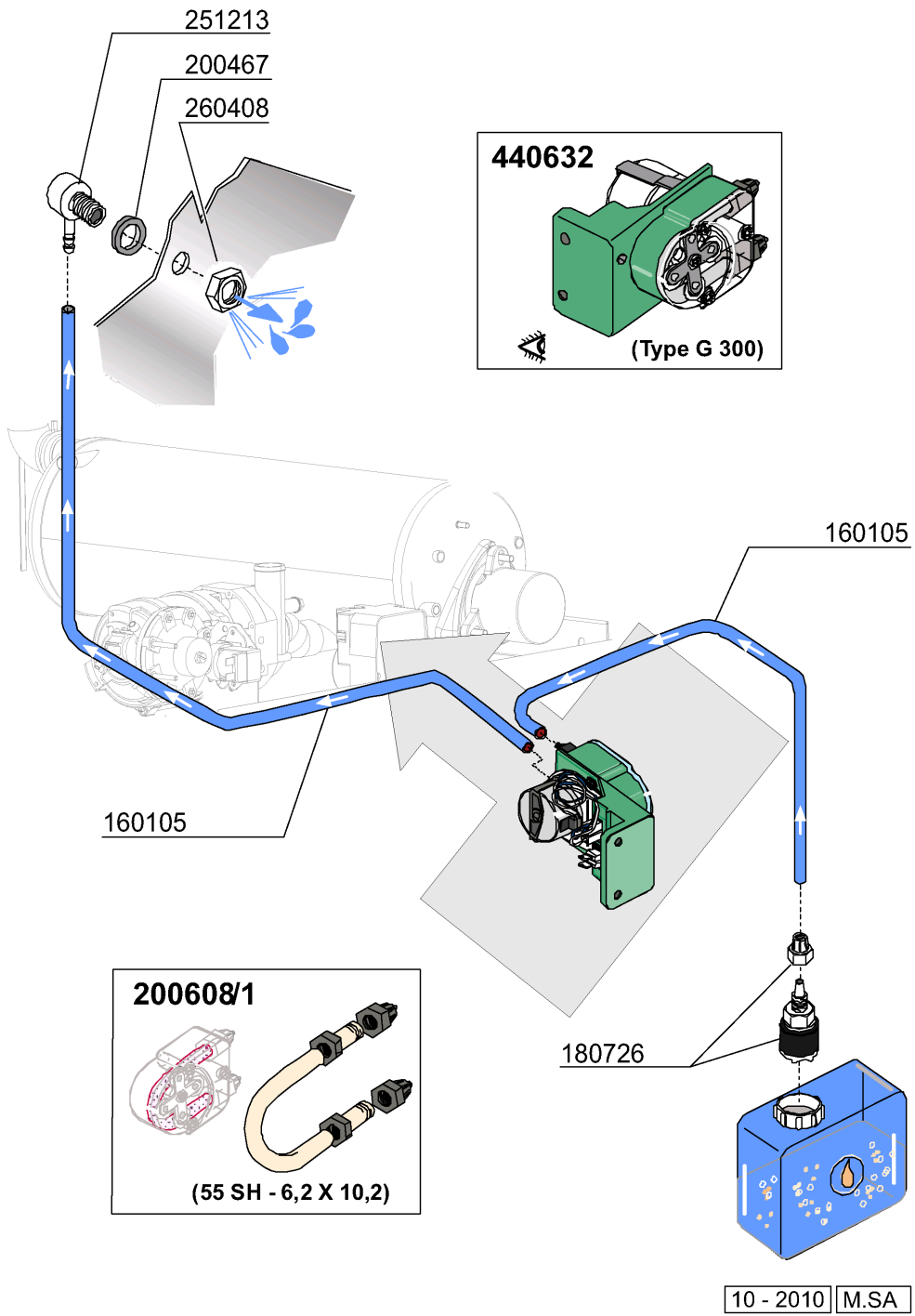
CODE	DESCRIPTION
100802	PUMP HP 0,3 230V-50HZ
100827	WASH PUMP HP0,6 FC2006
100827/1	PUMP HP 0,6 LGB FC06 400/3/50
100829	PUMP HP 0,6 LGB FC06 60HZ
350986	PUMP SUPPORT
630136	PUMP VOLUTE LGB ZF131DX
630144	PUMP VOLUTE
630249	PUMP FLANGE ZF131 DX
630427	O-RING FOR PUMP ZF131DX
630433	GASKET FOR PUMP 100827
630538	SEAL LGBZF131DX
630541	SEAL FOR PUMP 100827
631202	CONDENSER 16 MF 450V
631216	CAPACITOR 6.3 MF 450V
631704	PUMP IMPELLER ZF131DX
632506	PUMP IMPELLER 100827 50HZ



10-2010 M.SA

8 - Control box

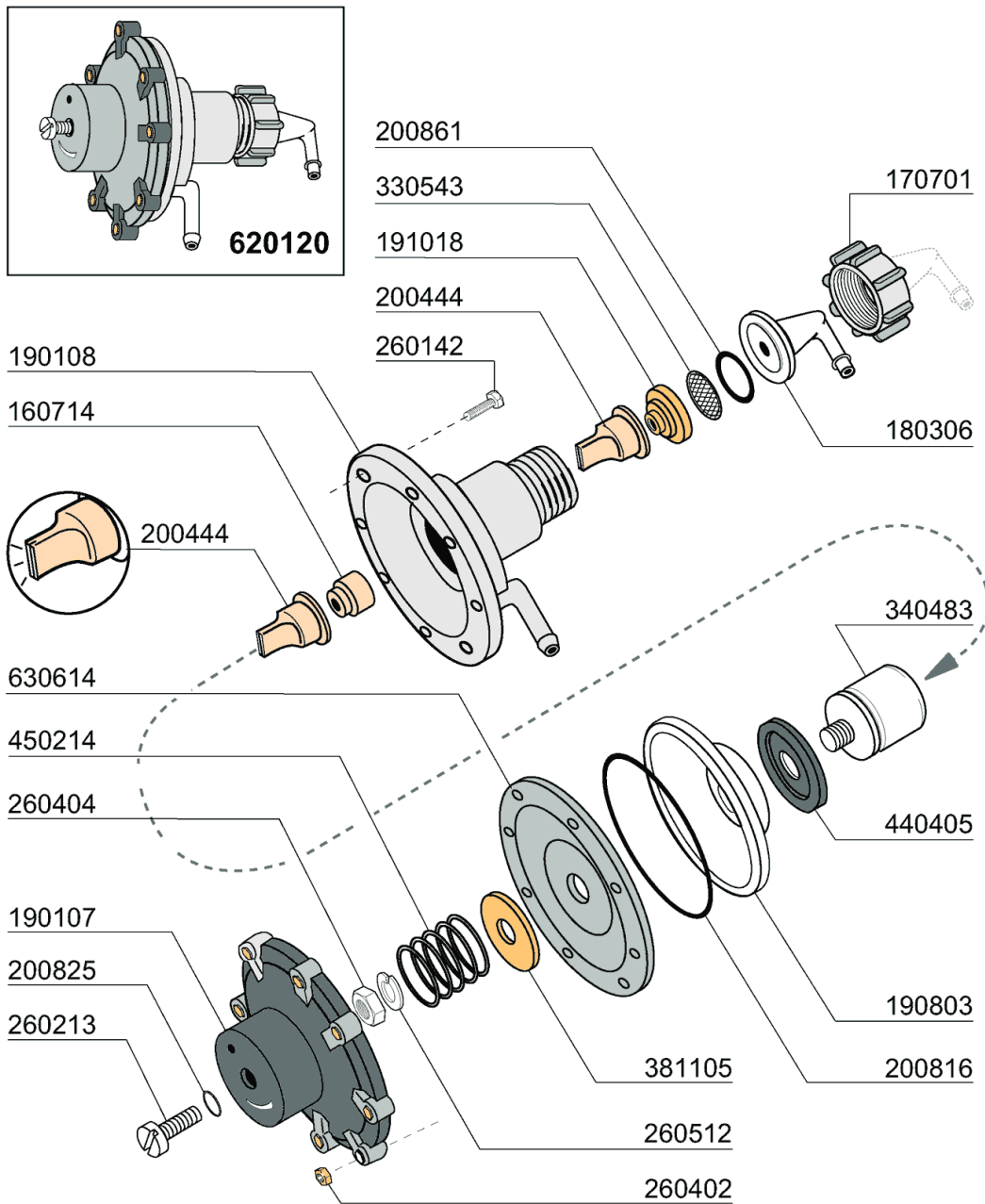
CODE	DESCRIPTION
120461	CONTACTOR ABB B6-30-01 220V
120519	SECURITY THERMOSTAT 95-125Ø
120525	BOOSTER THERMOSTAT 2 TEMPERAT.
120530	THERMOSTAT 0-90Ø
121287	ELECTRONIC TIMER
130157	GREEN LED FOR BR-BC-C-SERIES -
130196	GREEN LAMP
130321	JUNCTION BOX 6 CONNECTORS
130487	SWITCH
130495	SWITCH ON/OFF
130497	DISTANZIALE TAPPO PULSANTIERA
130621	PRESSURE SWITCH FOR BC HR 45/2
130707	TRANSPARENT LENS COVERS (C-SER
150833	CABLE HOLDER BC/BR
160537	ELECTRONIC CARD SPACER
161189	COVER
190158	SUPPORT
191040	FRAME F.THERMOSTAT KNOB
260416	STAINLESS STEEL NUTS M6
260530	STAINL.ST WASHER 7X22X2
350915	CONTROL PANEL SUPPORT
352070	FRONT PANEL
390306	CABLE
450137	COLLAR CONNECTION WITH BASE 31
450315	KNOB F. THERMOSTAT 90Ø
450321	GREY COVER FOR PUSH BUTTON BR-
450328	DRAIN SWITCH
450352	PUSH BUTTON "CYCLE"
450353	GREEN ON/OFF SWITCH
461500	PLATE LC411M
631209	ANTI-NOISE FILTER



9 - Detergent dispenser

CODE	DESCRIPTION
160105	INJECT.INLET HOSE D.6X4
180726	STREINER FOR RINSE AID INJECTO
200467	DUTRAL GASKET F. AIR TRAP
200608/1	HOSE FOR DISPENSER GERMAC G300
251213	INJECTIOR S/S FOR DETERGENT IN
260408	S/S NUTS D.12
440632	DETERGENT INJECTOR

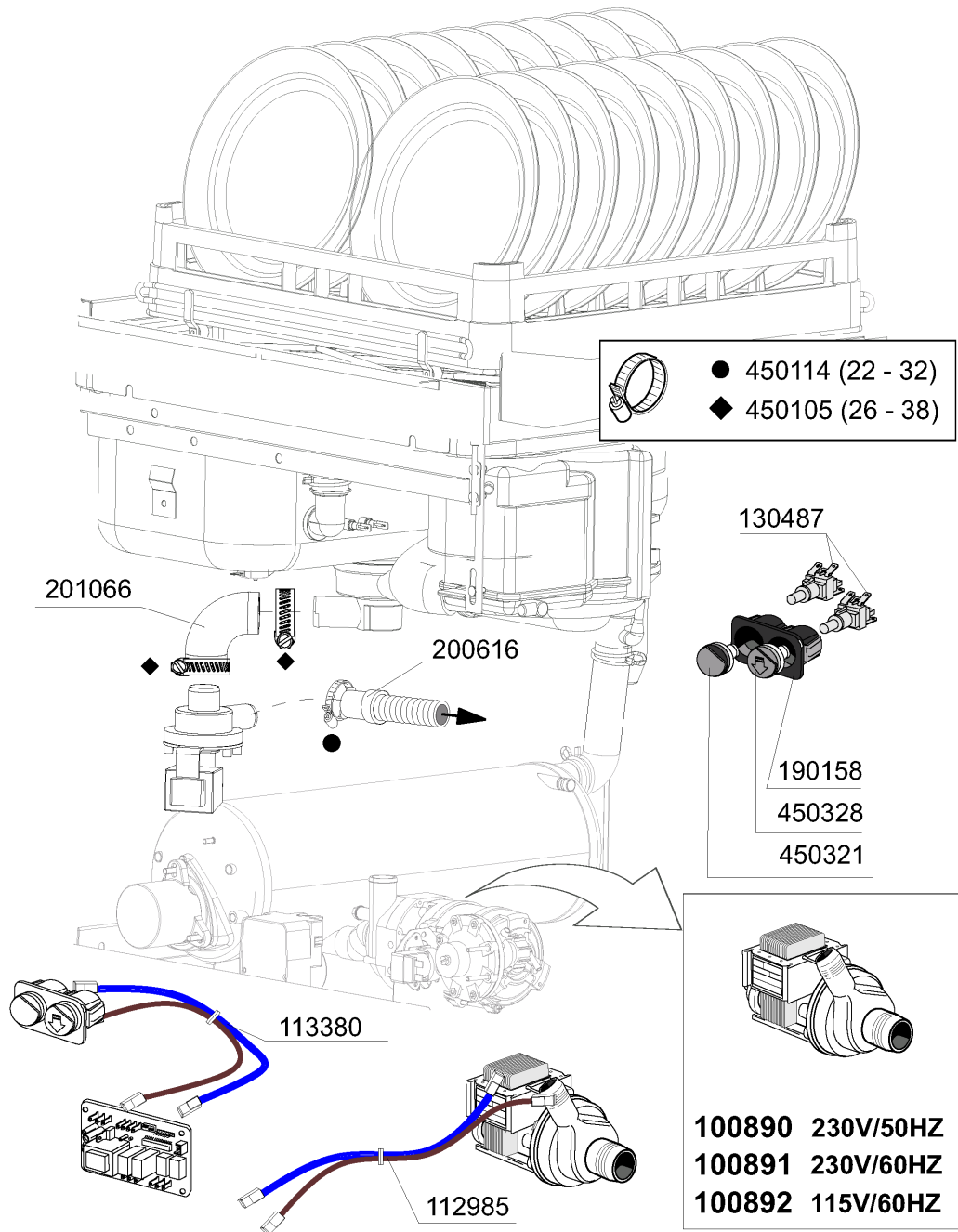
10 - Rinse aid injector



09 - 2007 | S. AG.

10 - Rinse aid injector

CODE	DESCRIPTION
160714	PLUG FOR RINSE AID INJECTOR MO
170701	LOCK NUT 1/2" F.INJECTOR
180306	NIPPLE F.RINSE AID INJECTOR
190107	COVER FOR RINSE AID DISPENSER
190108	VOLUTE FOR RINSE AID DISPENSER
190803	GASKET SUPPORT RING F.INJECT
191018	FILTER SUPPORT RINSE AID INJEC
200444	SUCTION VALVE RINSE INJECTOR
200816	O-RING 2,5X59,2X64,2 RINSE INJ
200825	O-RING 3X5X11 RINSE INJECTOR
200861	O-RING 14X18X2
260142	SCREW TE 4X16
260213	SCREW TCP 5X25
260402	STAINLESS STEEL NUT D4 UNI 55
260404	STAINLESS STEEL NUTS D6 UNI 55
260512	ST/ST GROWER WASHER D6
330543	FILTER RINSE AID INJECTOR D.17
340483	PISTON FOR RINSE AID DISPENSER
381105	DIAPHRAGME DISC
440405	GASKET FOR RINSE AID INJ.
450214	SPRING RINSE AID INJECTOR
620120	RINSE AID INJECTOR
630614	DIAPHRAGM RINSE INJECTOR



10 - 2010 | M.S.A.

11 - Drain pump kit

CODE	DESCRIPTION
100890	DRAIN PUMP 30W 220/50
100891	DRAIN PUMP 30W 220/60
100892	DRAIN PUMP 30W 115V/1/60HZ
112985	WIRING DRAIN PUMP LB
113380	CABLE
130487	SWITCH
190158	SUPPORT
200616	DRAIN HOSE 3MT FCM
201066	INLET HOSE LB DRAIN PUMP
450105	CLAMP FE ZN. 26-38 H=12,2
450114	CLAMP FE ZN.22-32 H=12,2
450321	GREY COVER FOR PUSH BUTTON BR-
450328	DRAIN SWITCH